

DIVERTING VALVES

MOTORIZED BALL VALVE SERIES MBA130

The ESBE series MBA130 consist of motorized 3-way ball valves available in DN 20-25, PN32 with external thread or combination of internal and external thread connection.



OPERATION

The ESBE series MBA130 is a range of 3-way diverting motorized ball valves with actuator for use in heating and cooling system. The valve is air bubble tight according to EN12266-1

The actuator is controlled by 2-point signal and is recommended for on/off function, available for 230V AC, 50 Hz power supply. Actuator is supplied with 0.85 meter connection cable attached, auxiliary switch and an anti condensation resistor to prevent condensation on the

electronic circuit board.

Actuator is assembled on the ball valve with a metallic spigot that allows to assembly/disassembly the actuator in a secure, simple and rapid way. The ball valve and actuator has an operating range of 90°.

TECHNICAL DATA

Valve:

Pressure class: _____ PN 32
 Media temperature: _____ max. +90°C
 _____ min. 0°C
 Torque (at nominal pressure): _____ < 4 Nm
 Leakrate - EN12266-1: internal leakage rate B, Air bubble tight
 EN12266-1: external leakage rate A, Air bubble tight
 Working pressure: _____ 3.2 MPa (32 bar)
 Connections: _____ Internal thread, ISO 228/1
 _____ External thread, ISO 228/1
 Media: _____ Heating water (in accordance with VDI2035)
 _____ Water / Glycol mixtures, max. 50%.
 (above 20% admixture, the pump data must be checked)

Material

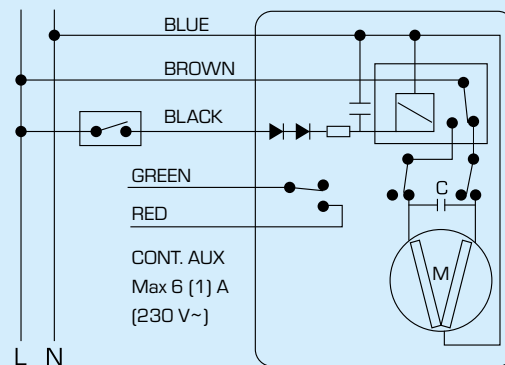
Valve body: _____ Brass CW 617N, Nickel plated
 Body end: _____ Brass CW 617N, Nickel plated
 Seat: _____ PTFE
 O-ring: _____ FPM
 Ball: _____ Brass CW 617N, Chrome plated
 Washer: _____ PTFE
 Shaft: _____ Brass CW 614N, Chrome plated
 O-ring, shaft: _____ HNBR
 Gasket: _____ Heat resistance fibre
 Union: _____ Brass CW 617N, Nickel plated
 Nut: _____ Brass CW 617N, Nickel plated

Actuator:

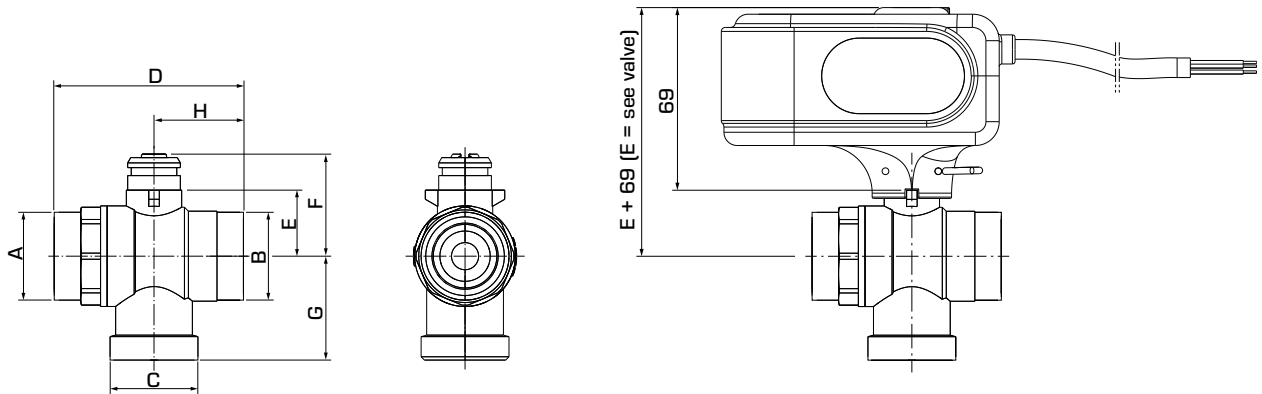
Ambient temperature: _____ max. +50°C
 _____ min. 0°C
 Enclosure rating: _____ IP44
 Protection class: _____ II
 Power supply: _____ 230 ± 10% VAC, 50 Hz
 Control signal: _____ 2-point SPST
 Power consumption - motor operation: _____ 3.5 W
 - anti condensation resistor: _____ up to 5 W
 Rating auxiliary switch: _____ 6(1) A 230 V AC
 Running time 90°: _____ 40 seconds
 Torque: _____ 10 Nm

CE LVD 2014/35/EU
 EMC 2014/30/EU
 RoHS 2011/65/EU
 PED 2014/68/EU, article 4.3

WIRING

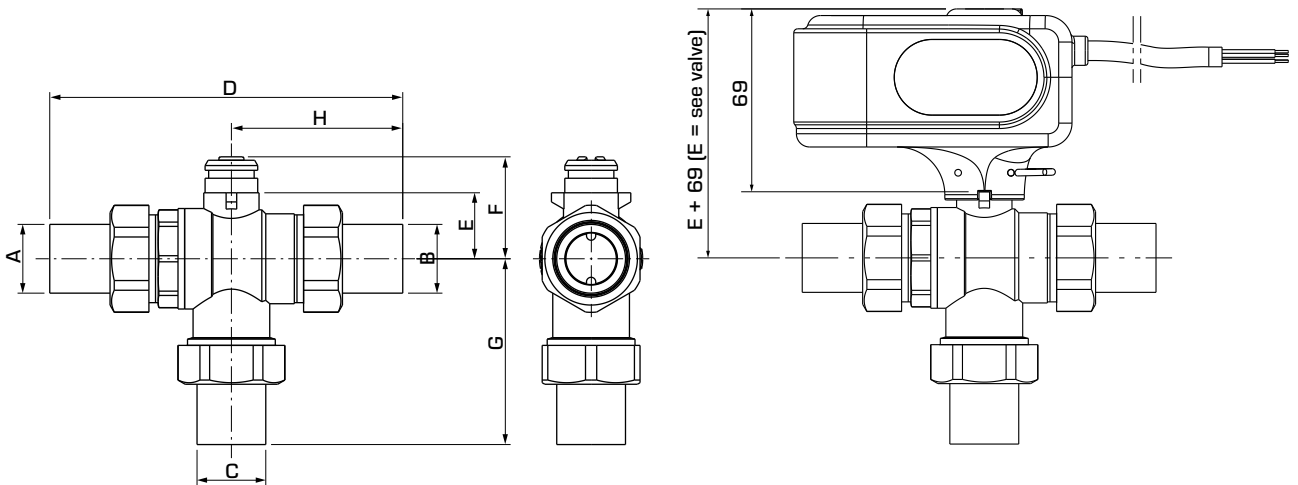


MOTORIZED BALL VALVE SERIES MBA130



SERIES MBA132, EXTERNAL THREAD

Art. No.	Reference	DN	Kvs *	Connection			D	E	F	G	H	Weight [kg]	Note
				A	B	C							
43102500	MBA132	20	9.6	G 1"	G 1"	G 1"	72	25	39	39	34	0.76	
43102600		25	11.3	G 1 1/4"	G 1 1/4"	G 1 1/4"	82	29	43	42	40	0.99	

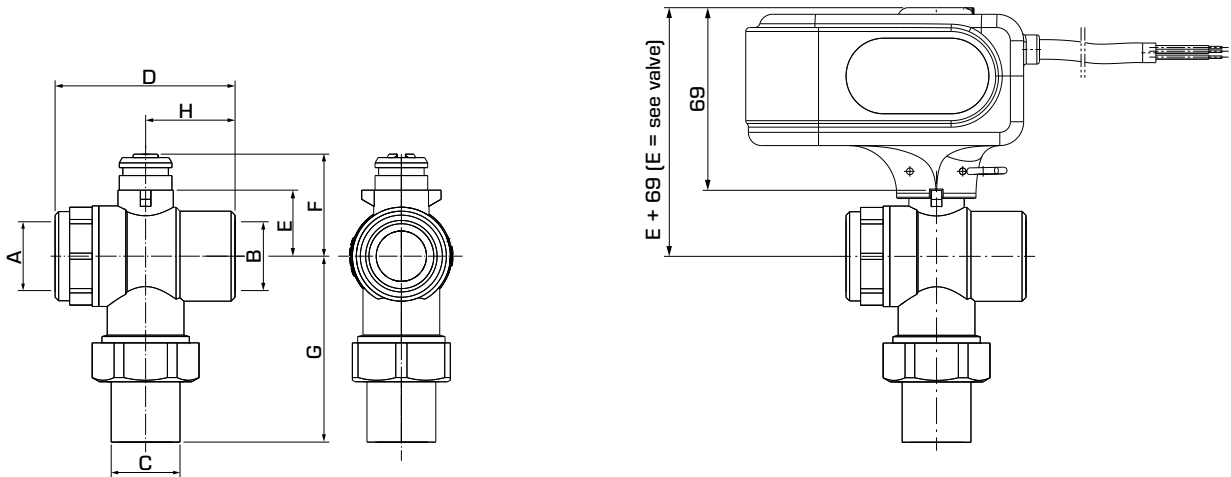


SERIES MBA132, EXTERNAL THREAD WITH ADAPTERS

Art. No.	Reference	DN	Kvs *	Connection			D	E	F	G	H	Weight [kg]	Note
				A	B	C							
43102700	MBA132	20	9.6	G 3/4"	G 3/4"	G 3/4"	134	25	38.5	70	65	1.07	
43102800		25	11.3	G 1"	G 1"	G 1"	149	29	42.5	75.5	73	1.46	

* Kvs-value in m³/h at a pressure drop of 1 bar.

MOTORIZED BALL VALVE SERIES MBA130

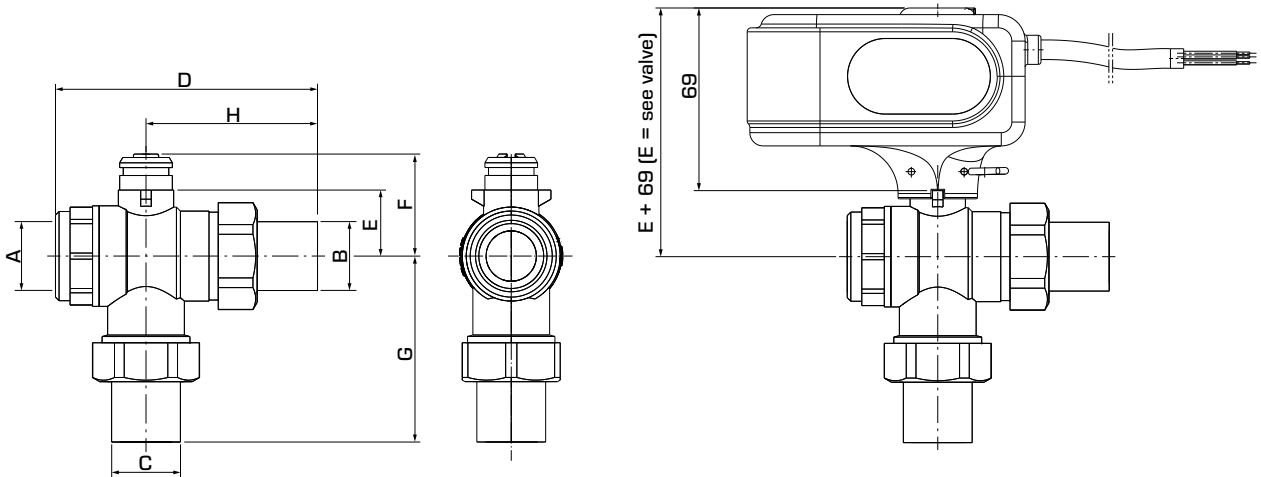


SERIES MBA135, INTERNAL, INTERNAL AND EXTERNAL THREAD

Art. No.	Reference	DN	Kvs *	Connection			D	E	F	G	H	Weight [kg]	Note
				A	B	C							
43102100	MBA135	20	9.6	G 3/4"	G 3/4"	G 3/4"	68	25	39	70	34	0.87	1)
43102200		25	11.3	G 1"	G 1"	G 1"	81	29	43	76	41	1.14	1)

* Kvs-value in m³/h at a pressure drop of 1 bar

Note 1) Connection A, B = Internal thread, Connection C = External thread



SERIES MBA136, INTERNAL, EXTERNAL AND EXTERNAL THREAD

Art. No.	Reference	DN	Kvs *	Connection			D	E	F	G	H	Weight [kg]	Note
				A	B	C							
43102300	MBA136	20	9.6	G 3/4"	G 3/4"	G 3/4"	99	25	39	70	65	0.96	1)
43102400		25	11.3	G 1"	G 1"	G 1"	115	29	43	76	73	1.32	1)

* Kvs-value in m³/h at a pressure drop of 1 bar

Note 1) Connection A = Internal thread, Connection B, C = External thread